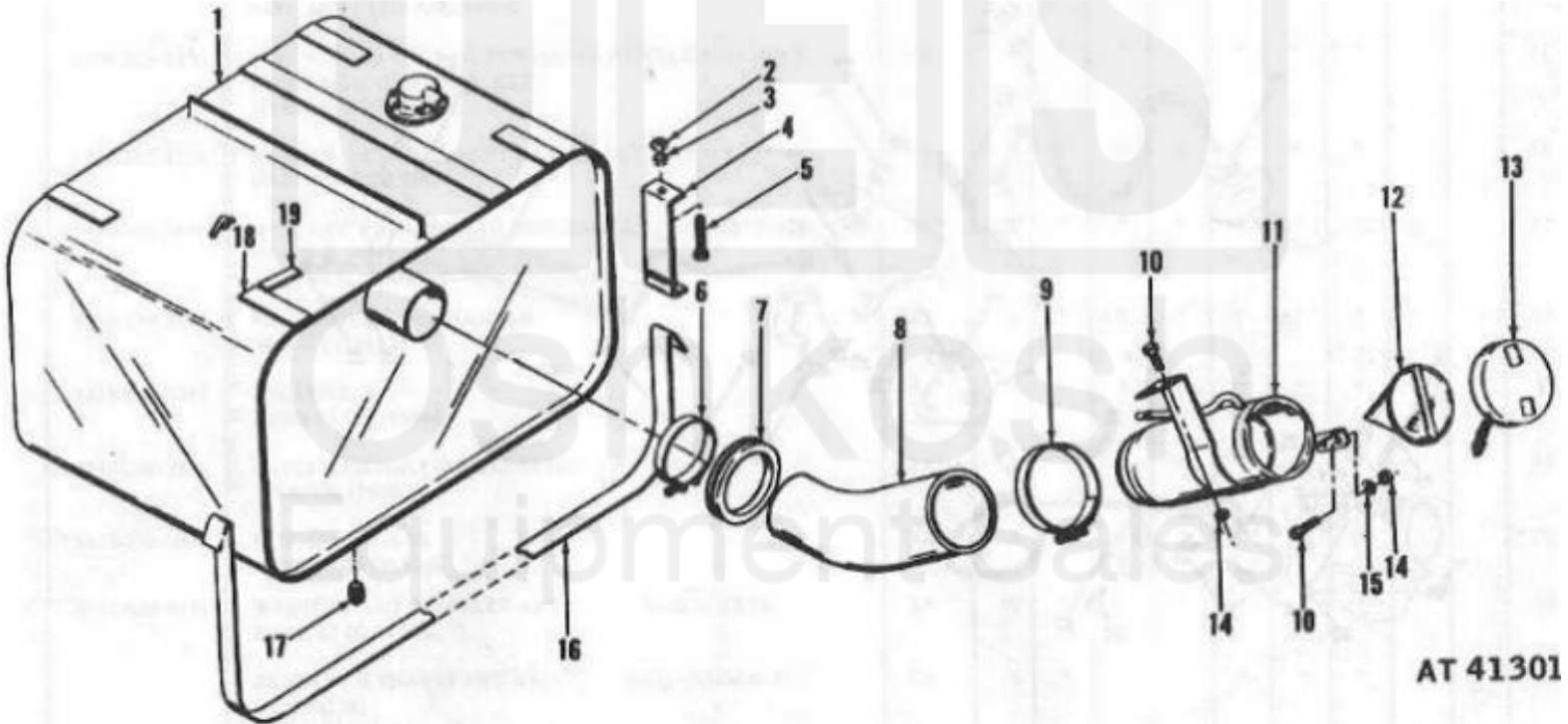


PO 4730-012-7951	PLUG, DRAIN 127951 (24617)	EA	1	*	*	*	*	*	*			30	17
PO 5330-443-8049	TAPE, ANTI-SQUEAK 10883265-2 (19207)	EA	4	*	*	*	*	*	*			30	18
PO 5330-196-8802	TAPE, ANTI-SQUEAK 10883265-1 (19207)	EA	1	*	*	*	*	*	*			30	19
PO 5310-853-9335	NUT, TANK STRAP ATTACHING MS35691-13 (96906)	EA	2	*	*	*	*	*	*			30	2
PO	NUT, ASSEMBLY, TANK STRAPATTACHING 11641036 (19207)	EA	2	*	*	*	*	*	*			30	3
PO 2910-119-0851	BRACKET, STRAP MOUNTING 11657384 (19207)	EA	2	*	*	*	*	*	*			30	4
PO 5306-151-6256	BOLT, TANK STRAP ATTACHING MS35842-15 (96906)	EA	2	*	*	*	*	*	*			30	5
PO 4730-908-6293	CLAMP, HOSE, FILLER HOSEATTACHING 1657386 (19207)	EA	1	*	*	*	*	*	*			30	6
PO 2530-900-3143	GROMMET, HOSE PROTECTING 11657126-2 (19207) CA, EA, EB	EA	1	*	*	*	*	*	*			30	7



AT 41301

Figure 30: Fuel Tank and Related Parts

(1) SMR code	(2) Federal Stock Number	(3) Description Reference Number & Mfg. Code Usable on Code	(4) Qty Unit of meas	(5) inc in unit	(6) 30-day DS maint. allowance			(7) 30-day GS maint. allowance			(8) 1-yr alw per 100 equip cntgcy	(9) Depot maint alw per 100 equip	(10) Illustration	
					(a)	(b)	(c)	(a)	(b)	(c)			(a) Figure No.	(b) Item No.
					1-20	21-50	51-100	1-20	21-50	51-100				

Current part is item (13) on diagram. Available at www.oshkoshequipment.com

Current part is item (13) on diagram. Available at www.oshkoshequipment.com												
0306 TANKS, LINES, FITTINGS AND HEADERS Continued												
PO		GROMMET, HOSE PROTECTING 11657126-1 (19207) BA, BB, DA, DB	EA	1	*	*	*	*	*	*		30 7
PO	2530-900-3115	HOSE, FILLER TUBE TO TANK 11657393 (19207) CA	EA	1	*	*	*	*	*	*		30 8
PO		HOSE, FILLER TUBE TO TANK 11658078 (19207) EA EB	EA	1	*	*	*	*	*	*		30 8
PO	2530-900-3048	HOSE, FILLER TUBE TO TANK 11657387 (19207) BA, BB, DA, DB	EA	1	*	*	*	*	*	*		30 8
PO	4730-908-6294	CLAMP, HOSE, FILLER HOSE ATTACHING MS35842-16 (96906)	EA	1	*	*	*	*	*	*		30 9
PO	5305-269-2802	SCREW, FILLER TUBE ATTACHING MS90726-59 (96906) BA, BB, DA, DB	EA	4	*	*	*	*	*	*		30 10
PO	2910-136-2171	TUBE ASSEMBLY, FUEL TANK FILLER 11640969(19207)	EA	1	*	*	*	*	*	*		30 11
PO	2910-119-0852	TUBE ASSEMBLY, FUEL TANK FILLER 11662526 (19207) CA, EA, EB	EA	1	*	*	*	*	*	*		30 11
PO	4730-202-6063	SCREEN ASSEMBLY, FILLER TUBE 8329781 (19207) BA, BB, DA, DB	EA	1	*	*	*	*	*	*		30 12
PO	2910-459-8447	CAP, FUEL TANK MS53075-1 (96906)	EA	1	*	*	*	*	*	*		30 13
PO	5310-696-5177	NUT, PLAIN, HEXAGON, FILLER TUBE ATTACHING 8328482 (19207) BA, BB, DA, DB	EA	4	*	*	*	*	*	*		30 14
PO	5310-012-0388	WASHER, FLAT, FILLER TUBE ATTACHING MS27183-15 (96906) BA, BB, DA, DB	EA	2	*	*	*	*	*	*		30 15
PO	2910-136-2172	STRAP, FUEL TANK SUPPORT 11657388 (19207)	EA	2	*	*	*	*	*	*		30 16
PO	4730-889-6135	CONNECTION, WINDSHIELD WIPER TUBE 137405 (24617)	EA	1	*	*	*	*	*	*		25 5

				(6) 30-day DS maint. allowance	(7) 30-day GS maint. allowance			(10) Illustration
--	--	--	--	---	---	--	--	----------------------